

PCB - CAPSULE GAUGE

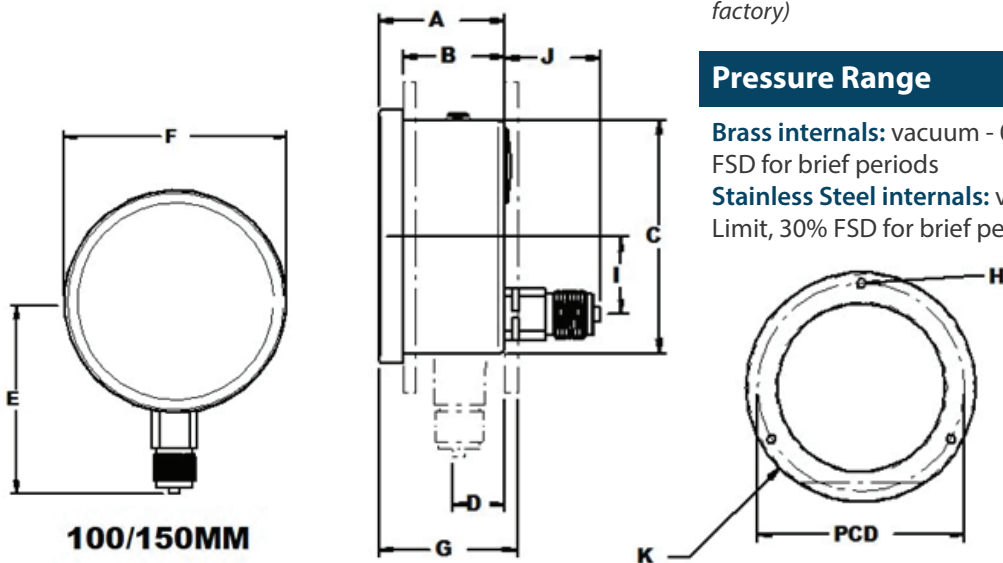


The Rhomberg Capsule series is ideal for use on applications where little to none vibration is present.

The medium accuracy of 1.6% FSD is ideal for applications used in Industrial, Energy & Power Plants, Gas Pipelines, Manufacturing Facilities, Refineries, and more where low pressure measurement is required.

The sensing element of a capsule pressure gauge consists of two corrugated diaphragms welded together at their periphery to form a capsule. The pressure to be measured is introduced into the capsule via an opening in the center of the first diaphragm.

The center of the second diaphragm is connected to the transmission mechanism so that the deflection of the measuring element can be transmitted to the pointer.



Materials

| | |
|---------------------|---|
| Housing | 304SS (316 optional) |
| Bezel | 304SS (316 optional) |
| Window | Polycarbonate |
| Wetted Parts | Brass or 316L SS (block and diaphragm) |
| Pointer | Aluminium (black) micro adjustable |
| Seals | Nitrile |
| Dial | Aluminium/white background and black numerals (customized designs on request) |

Configuration

A B C D E F U V

Nominal Sizes

100mm(4") 150mm(6")

Dampening

Dry only

Accuracy

1.6% FSD (zero adjuster via front of window)

Nett Mass

100mm: 520g
150mm: 840g

Temperature

Operating -25 DC to + 60 DC
Medium -25 DC to 85 DC
Storage -40 DC to 85 DC

Ingress (Weather Protection)

IP54

Accreditation

SABS1062

Thread Sizes

$\frac{1}{8}$ - $\frac{1}{4}$ - $\frac{3}{8}$ - $\frac{1}{2}$ BSP/NPT (for other sizes and types, please contact the factory)

Pressure Range

Brass internals: vacuum - 0 - 600mbar. Over Pressure limit, 30% FSD for brief periods

Stainless Steel internals: vacuum - 0 - 600mbar. Over Pressure Limit, 30% FSD for brief periods

Nominal Sizes

| Dimensions | | A | B | C | D | E | F | G | H | I | J | K | PCD |
|---------------|----------|-------|-------|--------|-------|--------|--------|-------|------|-------|-------|--------|--------|
| 100mm (4") | Metric | 52,00 | 36,00 | 99,00 | 17,00 | 93,00 | 108,00 | 56,00 | 4,80 | 33,00 | 38,00 | 132,50 | 121,00 |
| | Imperial | 2,05 | 1,42 | 3,90 | 0,67 | 3,66 | 4,25 | 2,20 | 0,19 | 1,30 | 1,50 | 5,22 | 4,76 |
| 150mm (6") | Metric | 53,00 | 36,00 | 140,00 | 17,00 | 108,00 | 155,00 | 58,00 | 5,80 | 33,00 | 38,00 | 196,00 | 178,00 |
| | Imperial | 2,09 | 1,42 | 5,51 | 0,67 | 4,25 | 6,10 | 2,28 | 0,23 | 1,30 | 1,50 | 7,12 | 7,01 |

Dimensions