

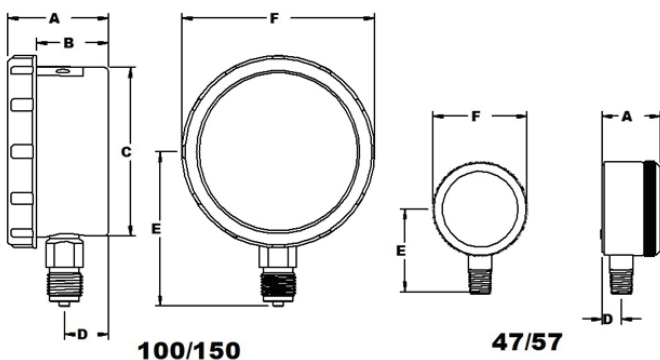
PBX - COLOUR CODED CASE & BEZEL SAFETY PATTERN DESIGN



The Rhomberg PBX series is Ideal for use on any application, especially those experiencing vibration, pulsation and shock. The high accuracy of either 1.6%, 1% FSD or 0.5% FSD is ideal for applications used in Industrial, Energy & Power Plants, Wastewater Treatment Facilities, Pump Applications, Welding Gas Filling Stations, Steam Pipes, Oil & Gas Pipelines, Chemical Plants, Manufacturing Facilities, Refineries, and more....

The PBX series comes in a variety of colours (*housing & Bezel*) namely blue, orange, grey, green red and black. Safety is always a key issue in industrial applications. The use of either international or in-house colour codification rules to identify gauge materials. Range, process fluids and location can help to improve plant and avoid unsafe conditions.

In addition the unit comes with a full blowout back and solid front to comply with SABS and UL safety standards.



Materials

Housing	Nylon 6 15% GF (<i>glass fibre</i>)
Bezel	Nylon 6 15% GF (<i>glass fibre</i>)
Window	Polycarbonate or safety laminated glass
Wetted Parts	Brass or 316L SS (<i>block and tube</i>)
Pointer	Aluminium (<i>black</i>) micro adjustable
Seals	Nitrile
Dial	Aluminium/white background and black numerals (<i>customized designs on request</i>)
Fill Plug	2-part Body material (<i>TPV</i>) Plunger pin material (<i>ABS</i>) 100mm & 150mm only

Configuration

A

Nominal Sizes

47mm(1.8") 57mm(2.2") 150mm(6")

Dampening

Glycerine filled (*100mm & 150mm only*)
VFM (*vibration free movement*)
(*100mm & 150mm only*)

Accuracy

100mm & 150mm 1.0% FSD
(*optional 0.5%*)
47mm & 57mm 1.6% FSD

Nett Mass

47mm: 60g dry only
57mm: 80g dry only
100mm: 480g (*840g filled*)
150mm: 540g (*840g filled*)

Temperature

Operating -25 DC to + 60 DC
Medium -25 DC to 85 DC
Storage -40 DC to 85 DC

Ingress (Weather Protection)

IP67 (*100mm & 150mm*)
IP54 (*47mm & 57mm*)

Accreditation

SABS1062

Thread Sizes

$\frac{1}{8}$ - $\frac{1}{4}$ - ($\frac{3}{8}$ - $\frac{1}{2}$) BSP/NPT (*for other sizes and types, please contact the factory*)
100mm & 150mm Only

Pressure Range

Brass internals: vacuum - 0 - 60MPa. Over Pressure limit, 25% FSD for brief periods
Stainless Steel internals: vacuum - 0 - 100MPa. Over Pressure Limit, 25% FSD for brief periods

Dimensions		A	B	C	D	E	F
47mm (1,85")	Metric	32,00			11,00	45,00	47,00
	Imperial	1,26			0,43	1,77	1,85
57mm (2,25")	Metric	35,00			11,00	50,00	57,00
	Imperial	1,38			0,43	1,97	2,24
100mm (4")	Metric	63,00	45,00	100,00	22,00	88,00	115,00
	Imperial	2,48	1,77	3,94	0,87	3,46	4,53
150mm (6")	Metric	63,00	45,00	144,00	22,00	110,00	163,00
	Imperial	2,48	1,77	5,67	0,87	4,33	6,42

Nominal Sizes

Dimensions