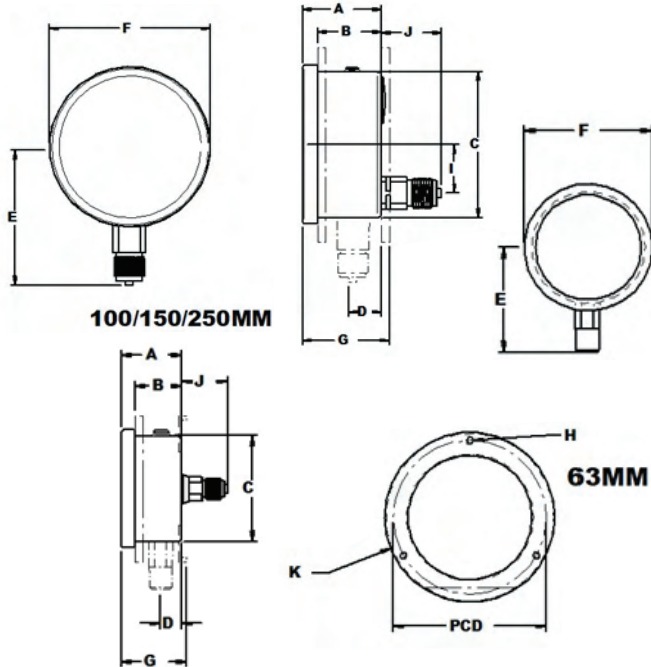


PBB - STAINLESS STEEL CASE AND BEZEL



The Rhomberg PBB series is ideal for use on any application, especially those experiencing vibration, pulsation and shock. The high accuracy of either 1% FSD or 0.5% FSD is ideal for applications used in Industrial, Energy & Power Plants, Wastewater Treatment Facilities, Pump Applications, Welding Gas Filling Stations, Steam Pipes, Oil & Gas Pipelines, Chemical Plants, Manufacturing Facilities, Refineries, and more....

The 100mm and 150mm PBB series comes with a 25mm diameter blowout plug as an added safety feature.



Materials

Housing	304SS (316SS on request)
Bezel	304SS (316SS on request)
Window	Polycarbonate or safety laminated glass
Wetted Parts	Brass or 316L SS (block and tube)
Pointer	Aluminium (black) micro adjustable (100mm & 150mm)
Seals	Nitrile
Blowout Disc	TPV (optional) 100/150 only
Dial	Aluminium/white background and black numerals (customized designs on request)
Fill Plug	2-part Body material (TPV) Plunger pin material (ABS)

Configuration

A B C D E F U V

Nominal Sizes

63mm(2.5") 100mm(4") 150mm(6")

Dampening

Glycerine filled
Silicon filled
VFM (vibration free movement)

Accuracy

100mm & 150mm 1.0% FSD (optional 0.5%)
63mm 1.6% FSD

Nett Mass

63mm: 160g dry (240g filled)
100mm: 480g dry (800g filled)
150mm

Temperature

Operating -25 DC to + 60 DC
Medium -25 DC to 85 DC
Storage -40 DC to 85 DC

Ingress (Weather Protection)

IP67

Accreditation

SABS1062

Thread Sizes

1/8 - 1/4 - (3/8 - 1/2) BSP/NPT (for other sizes and types, please contact the factory) 100mm & 150mm Only

Pressure Range

Brass internals: vacuum - 0 - 60MPa Over Pressure limit, 25% FSD for brief periods
Stainless Steel internals: vacuum - 0 - 250MPa Over Pressure Limit, 25% FSD for brief periods
Max pressure 63mm: brass wetted parts 60MPa and stainless steel wetted parts 100MPa

Dimensions		A	B	C	D	E	F	G	H	I	J	K	PCD
63 mm	Metric	35,00	28,00	62,00	10,00	60,00	69,00	38,00	3,50	centre	27,00	85,00	75,00
	Imperial	1,38	1,10	2,44	0,39	2,36	2,72	1,50	0,14	centre	1,06	3,37	2,95
100 mm	Metric	52,00	36,00	99,00	17,00	93,00	108,00	56,00	4,80	33,00	38,00	132,50	121,00
	Imperial	2,05	1,42	3,90	0,67	3,66	4,25	2,20	0,19	1,30	1,50	5,22	4,76
150 mm	Metric	53,00	36,00	140,00	17,00	108,00	155,00	5,80	5,80	33,00	38,00	196,00	178,00
	Imperial	2,09	1,42	5,51	0,67	4,25	6,10	2,28	0,23	1,30	1,50	7,72	7,01
250 mm	Metric	56,00	35,00	247,00	17,00	165,00	252,00	5,00	6,00	33,00	38,00	285,00	270,00
	Imperial	2,20	1,38	9,72	0,67	6,50	9,92	0,20	0,24	1,30	1,50	11,22	10,63

Nominal Sizes

Dimensions