

## AG-F



### DESCRIZIONE/DESCRIPTION

Agitatori veloci.

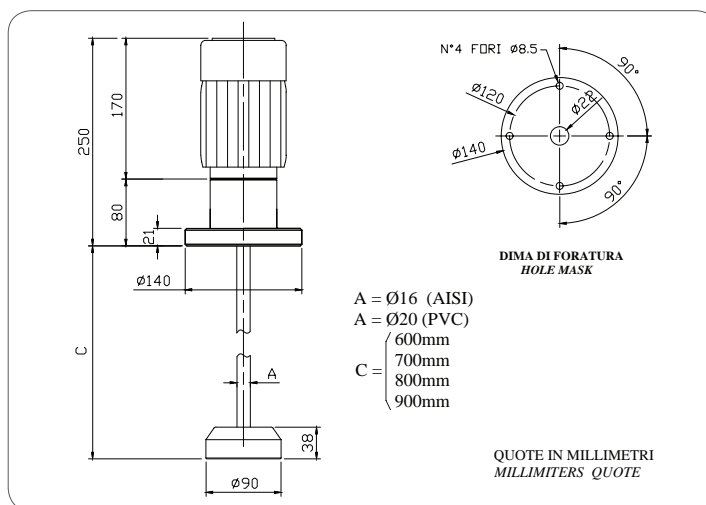
- Veloci mono fase AG1-PVC/AG1-AISI 1400 rpm - Motore 230V 50Hz 0.12HP;
- Veloci trifase AG3-PVC/AG3-AISI 1400 rpm - Motore 230/380 V 50Hz 0.12HP.

Fast water mixers.

- Fast speed three-phase AG3-PVC/AG3-AISI 1400 rpm - Motor 230/380 V - 50 Htz - 0.12HP;
- Fast speed three-phase AG3-PVC/AG3-AISI 1400 rpm - Motor 230/380 V - 50 Htz - 0.12HP.



### DIMENSIONI/DIMENSIONS



### Veloci MONOFASE/Speed SINGLE-PHASE

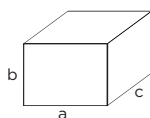
| Codice<br>Code | Modello<br>Model | Dimensioni<br>Size | Serbatoio  | Materiale<br>Material | Motore<br>Motor          | Velocità     | Price (€) |
|----------------|------------------|--------------------|------------|-----------------------|--------------------------|--------------|-----------|
|                |                  |                    | Tank<br>lt |                       |                          | Speed<br>rpm |           |
| ADAG1P06F      | AG1-PVC60/F      | A-TANK 1           | 100        | PVC                   | MONOFASE<br>SINGLE-PHASE | 1400         |           |
| ADAG1P07F      | AG1-PVC70/F      | A-TANK 2-3         | 200-300    | PVC                   | MONOFASE<br>SINGLE-PHASE | 1400         |           |
| ADAG1P08F      | AG1-PVC80/F      | A-TANK 5           | 500        | PVC                   | MONOFASE<br>SINGLE-PHASE | 1400         |           |
| ADAG1P09F      | AG1-PVC90/F      | A-TANK 10          | 1000       | PVC                   | MONOFASE<br>SINGLE-PHASE | 1400         |           |
| ADAG1A06F      | AG1-AISI60/F     | A-TANK 1           | 100        | AISI                  | MONOFASE<br>SINGLE-PHASE | 1400         |           |
| ADAG1A07F      | AG1-AISI70/F     | A-TANK 2-3         | 200-300    | AISI                  | MONOFASE<br>SINGLE-PHASE | 1400         |           |
| ADAG1A08F      | AG1-AISI80/F     | A-TANK 5           | 500        | AISI                  | MONOFASE<br>SINGLE-PHASE | 1400         |           |
| ADAG1A09F      | AG1-AISI90/F     | A-TANK 10          | 1000       | AISI                  | MONOFASE<br>SINGLE-PHASE | 1400         |           |

### Veloci TRIFASE/Speed THREE-PHASE

| Codice<br>Code | Modello<br>Model | Dimensioni<br>Size | Serbatoio  | Materiale<br>Material | Motore<br>Motor        | Velocità     | Price (€) |
|----------------|------------------|--------------------|------------|-----------------------|------------------------|--------------|-----------|
|                |                  |                    | Tank<br>lt |                       |                        | Speed<br>rpm |           |
| ADAG3P06F      | AG3-PVC60/F      | A-TANK 1           | 100        | PVC                   | TRIFASE<br>THREE-PHASE | 1400         |           |
| ADAG3P07F      | AG3-PVC70/F      | A-TANK 2-3         | 200-300    | PVC                   | TRIFASE<br>THREE-PHASE | 1400         |           |
| ADAG3P08F      | AG3-PVC80/F      | A-TANK 5           | 500        | PVC                   | TRIFASE<br>THREE-PHASE | 1400         |           |
| ADAG3P09F      | AG3-PVC90/F      | A-TANK 10          | 1000       | PVC                   | TRIFASE<br>THREE-PHASE | 1400         |           |
| ADAG3A06F      | AG3-AISI60/F     | A-TANK 1           | 100        | AISI                  | TRIFASE<br>THREE-PHASE | 1400         |           |
| ADAG3A07F      | AG3-AISI70/F     | A-TANK 2-3         | 200-300    | AISI                  | TRIFASE<br>THREE-PHASE | 1400         |           |
| ADAG3A08F      | AG3-AISI80/F     | A-TANK 5           | 500        | AISI                  | TRIFASE<br>THREE-PHASE | 1400         |           |
| ADAG3A09F      | AG3-AISI90/F     | A-TANK 10          | 1000       | AISI                  | TRIFASE<br>THREE-PHASE | 1400         |           |



### IMBALLO/PACK



Confezione singola/Single pack:

- L60: axbxc: 220x885x220 mm - Kg: 6,00;
- L70/80/90: axbxc: 210x1230x210 mm - Kg: 7,00;

## AG-S



### DESCRIZIONE/DESCRIPTION

Agitatori lenti.

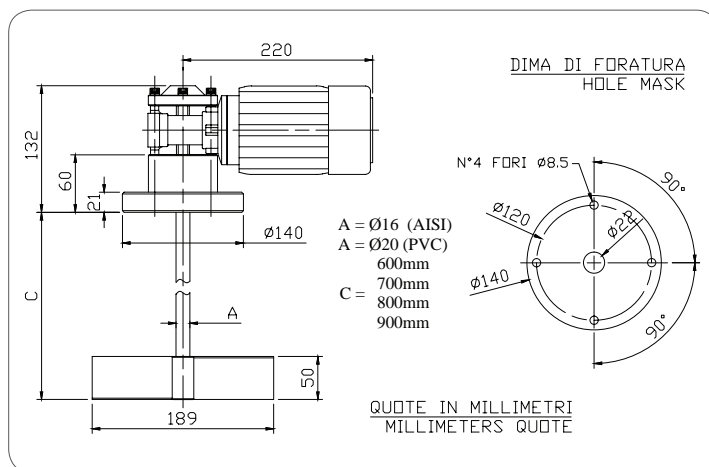
- Lenti mono fase AG1-PVC /AG1-AISI 70 rpm - Motore 230V 50Hz 0.12HP;
- Lenti trifase AG3-PVC /AG3-AISI 70 rpm - Motore 230/380 V 50Hz 0.12HP.

Slow water mixers.

- Slow single-phase AG1-PVC /AG1-AISI 70 rpm - Motor 230V 50Hz 0.12HP;
- Slow speed three-phase - AG3-PVC/AG3-AISI - 70 rpm - Motor 230/380v - 50 Htz - 0.12HP.



### DIMENSIONI/DIMENSIONS



### Lenti MONOFASE/ Slow SINGLE-PHASE

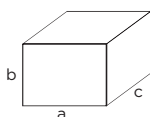
| Codice<br>Code | Modello<br>Model | Dimensioni<br>Size | Serbatoio  | Materiale<br>Material | Motore<br>Motor          | Velocità     | Price (€) |
|----------------|------------------|--------------------|------------|-----------------------|--------------------------|--------------|-----------|
|                |                  |                    | Tank<br>lt |                       |                          | Speed<br>rpm |           |
| ADAG1P06S      | AG1-PVC60/S      | A-TANK 1           | 100        | PVC                   | MONOFASE<br>SINGLE-PHASE | 70           |           |
| ADAG1P07S      | AG1-PVC70/S      | A-TANK 2-3         | 200-300    | PVC                   | MONOFASE<br>SINGLE-PHASE | 70           |           |
| ADAG1P08S      | AG1-PVC80/S      | A-TANK 5           | 500        | PVC                   | MONOFASE<br>SINGLE-PHASE | 70           |           |
| ADAG1P09S      | AG1-PVC90/S      | A-TANK 10          | 1000       | PVC                   | MONOFASE<br>SINGLE-PHASE | 70           |           |
| ADAG1A06S      | AG1-AISI60/S     | A-TANK 1           | 100        | AISI                  | MONOFASE<br>SINGLE-PHASE | 70           |           |
| ADAG1A07S      | AG1-AISI70/S     | A-TANK 2-3         | 200-300    | AISI                  | MONOFASE<br>SINGLE-PHASE | 70           |           |
| ADAG1A08S      | AG1-AISI80/S     | A-TANK 5           | 500        | AISI                  | MONOFASE<br>SINGLE-PHASE | 70           |           |
| ADAG1A09S      | AG1-AISI90/S     | A-TANK 10          | 1000       | AISI                  | MONOFASE<br>SINGLE-PHASE | 70           |           |

### Lenti TRIFASE/Slow THREE-PHASE

| Codice<br>Code   | Modello<br>Model | Dimensioni<br>Size | Serbatoio  | Materiale<br>Material | Motore<br>Motor        | Velocità     | Price (€) |
|------------------|------------------|--------------------|------------|-----------------------|------------------------|--------------|-----------|
|                  |                  |                    | Tank<br>lt |                       |                        | Speed<br>rpm |           |
| <b>ADAG3P06S</b> | AG3-PVC60/S      | A-TANK 1           | 100        | PVC                   | TRIFASE<br>THREE-PHASE | 70           |           |
| ADAG3P07S        | AG3-PVC70/S      | A-TANK 2-3         | 200-300    | PVC                   | TRIFASE<br>THREE-PHASE | 70           |           |
| ADAG3P08S        | AG3-PVC80/S      | A-TANK 5           | 500        | PVC                   | TRIFASE<br>THREE-PHASE | 70           |           |
| ADAG3P09S        | AG3-PVC90/S      | A-TANK 10          | 1000       | PVC                   | TRIFASE<br>THREE-PHASE | 70           |           |
| ADAG3A06S        | AG3-AISI60/S     | A-TANK 1           | 100        | AISI                  | TRIFASE<br>THREE-PHASE | 70           |           |
| ADAG3A07S        | AG3-AISI70/S     | A-TANK 2-3         | 200-300    | AISI                  | TRIFASE<br>THREE-PHASE | 70           |           |
| ADAG3A08S        | AG3-AISI80/S     | A-TANK 5           | 500        | AISI                  | TRIFASE<br>THREE-PHASE | 70           |           |
| ADAG3A09S        | AG3-AISI90/S     | A-TANK 10          | 1000       | AISI                  | TRIFASE<br>THREE-PHASE | 70           |           |



### IMBALLO/PACK



Confezione singola/Single pack:

- L60: axbxc: 220x885x220 mm - Kg: 6,00;
- L70/80/90: axbxc: 210x1230x210 mm - Kg: 7,00;