



EXTRACTABLE CABLES



# HC 999

Multifunction solenoid driven dosing pump, versatile and fully programmable suitable for any application.

## DESCRIPTION

- Constant and proportional settings
- High impact PBT housing suitable for high temperature environments and fluids
- Level probe input
- Digital injection frequency setting 0-100%
- Power supply 240VAC - 50/60Hz
- On/Off switch
- Ip65 protection
- Digital control and settings by five keys and LCD display backlight 2x16
- Manual air bleed valve for quick priming
- Ready for wall or foot mounting at installation site (brackets included)

**MODEL A**

- Proportional 0/4-20mA, PPM, 1xN, 1:N, 1xN (M) Ist, 1xN (M) Prop.
- Constant: flow rate, time, dosing quantity and cyclic
- Timer mode: daily or weekly

PI-mA  
CLK  
mode

**MODEL B**

- Proportional 0/4-20mA, PPM, 1xN, 1:N, 1xN (M) Ist, 1xN (M) Prop.
- Constant. flow rate, time, dosing quantity and cyclic
- pH or Redox (Orp) input for proportional dosing
- Timer mode: daily or weekly

pH  
Redox  
input

**MODEL C**

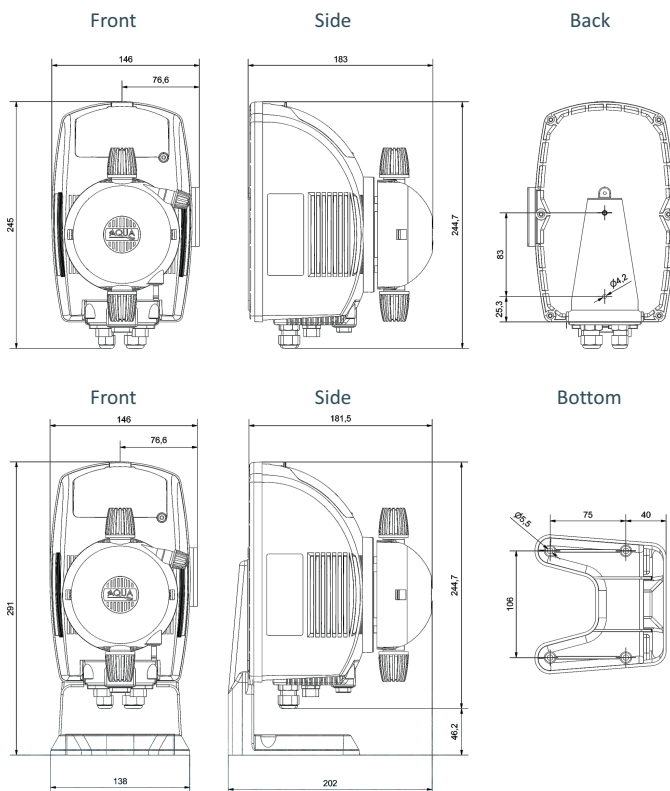
- Proportional 0/4-20mA, PPM, 1xN, 1:N, 1xN (M) Ist, 1xN (M) Prop.
- Constant. flow rate, time, dosing quantity and cyclic
- Free Chlorine input for proportional dosing
- Timer mode: daily or weekly

free  
chlorine  
input

**MODEL D**

- Proportional 0/4-20mA, PPM, 1xN, 1:N, 1xN (M) Ist, 1xN (M) Prop.
- Constant. flow rate, time, quantity dosing and cycle
- J-sensor input for Chlorine (Free and Total), Chlorine Dioxide, Ozone, Hydrogen peroxide or Peracetic acid proportional dosing
- Timer mode: daily or weekly

J  
sensor  
input



Model	Constant	0/4-20 mA	PPM	1xN, 1:N, 1xN(M)	Timer	On/Off cycles	pH or Rx	Pt-Cu Chlorine	Potentiostatic J sensor
A	●	●	●	●	●	●	X	X	X
B	●	●	●	●	●	●	●	X	X
C	●	●	●	●	●	●	X	●	X
D	●	●	●	●	●	●	X	X	●



HYDRAULIC

Hydraulic	Flow rate-Pressure		Strokes	Strokes volume	Consumption	Tubing I.D.xO.D.	Pump head
	l/h	bar					
1	10	10	200	0,83	35	4X6	PP 1/2"
	12	8		1			
	14	5		1,16			
2	4	20	100	0,66	35	4X6	PP 1/2"
	4,5	18		0,75			
	5	15		0,83			
3	20	5	150	2,22	35	4X6 IN 6x8 OUT	PP 1/2"
	25	3		2,77			
	35	1		3,88			
4	35	2	150	3,88	35	10X14	PVC 1/2"
	45	1		5			
	50	0,5		5,55			



CODES

HC999			HC999		
MODEL	HYDRAULIC	CODE	MODEL	HYDRAULIC	CODE
A PI-mA CLK	1	AD99101000000	C Free Chlorine	1	AD99301000000
	2	AD99102000000		2	AD99302000000
	3	AD99103000000		3	AD99303000000
	4	AD991040Y0000		4	AD993040Y0000
B pH Redox	1	AD99201000000	D J sensor	1	AD99401000000
	2	AD99202000000		2	AD99402000000
	3	AD99203000000		3	AD99403000000
	4	AD992040Y0000		4	AD994040Y0000



TECHNICAL FEATURES

MATERIALS	Standard version		Upon request
	mod. 1-2-3	mod. 4	
Pump head	PP	PVC	PVDF-PVC
Diaphragm	PTFE	PTFE	PTFE
Balls	PYREX	PYREX	PTFE
Body valve	PP	PP	PVDF
O-rings	VITON®	VITON®	DT
Spring loaded injection valve	HASTELLOY-PYREX	HASTELLOY-PYREX	HASTELLOY-PTFE
Injection fitting	PP	PVC-PP	PVDF
Foot valve	PP	PVC-PP	PVDF-PVC



PACKAGE DIMENSIONS

MODEL	CM		KG.
A,B,C	32x30x14,5h	4,5	
D	32x30x14,5h	5	